

MEASUREMENTS

A:

B:

B1:

B2:

C:

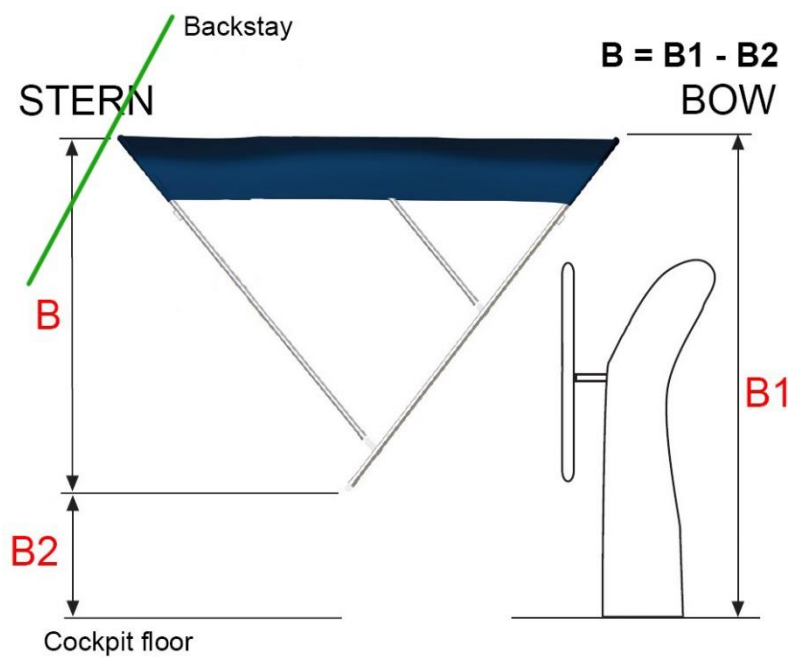
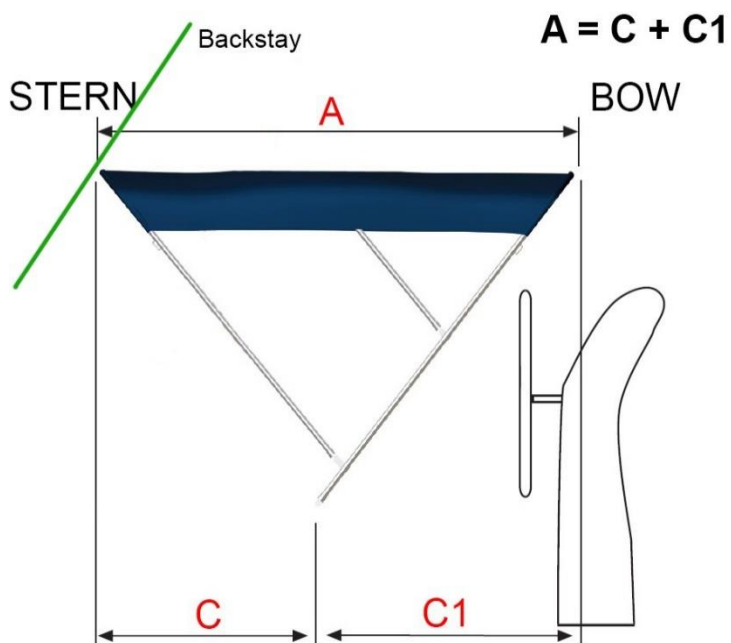
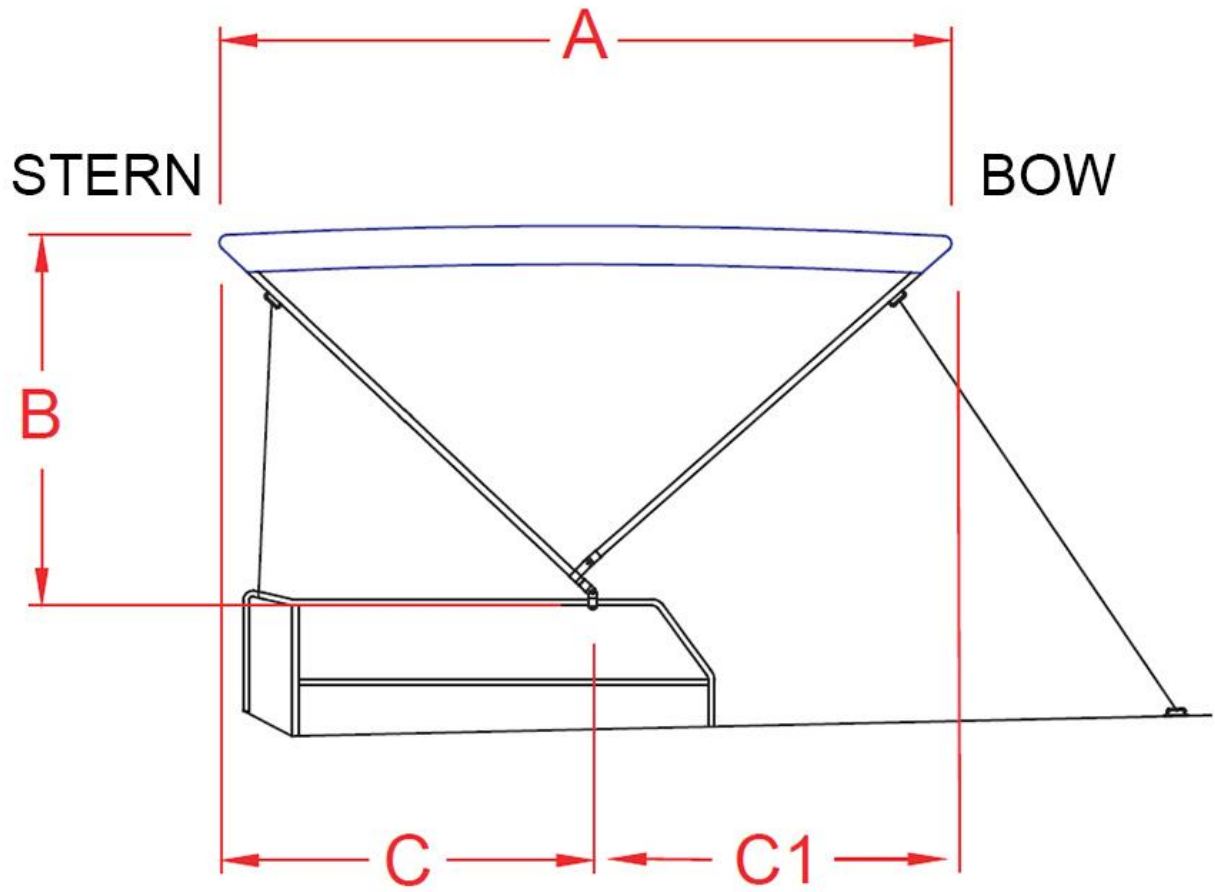
C1:

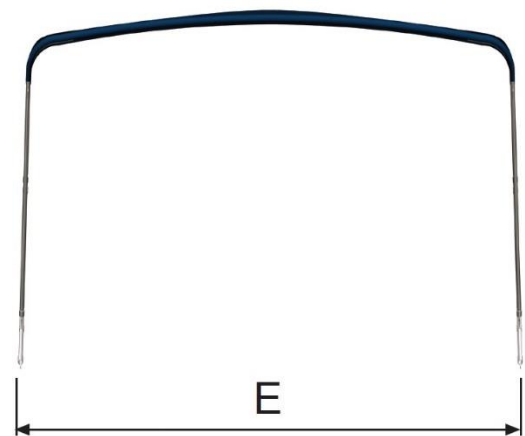
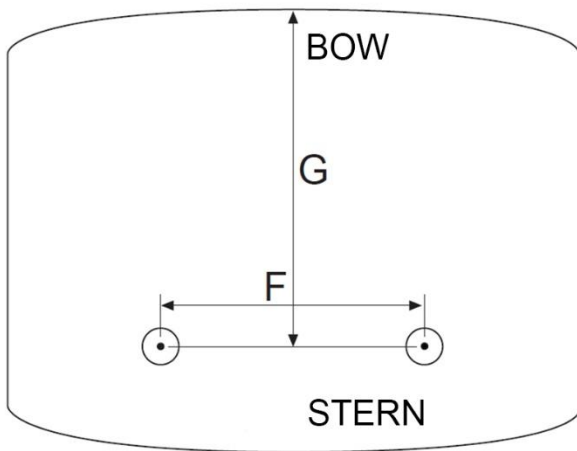
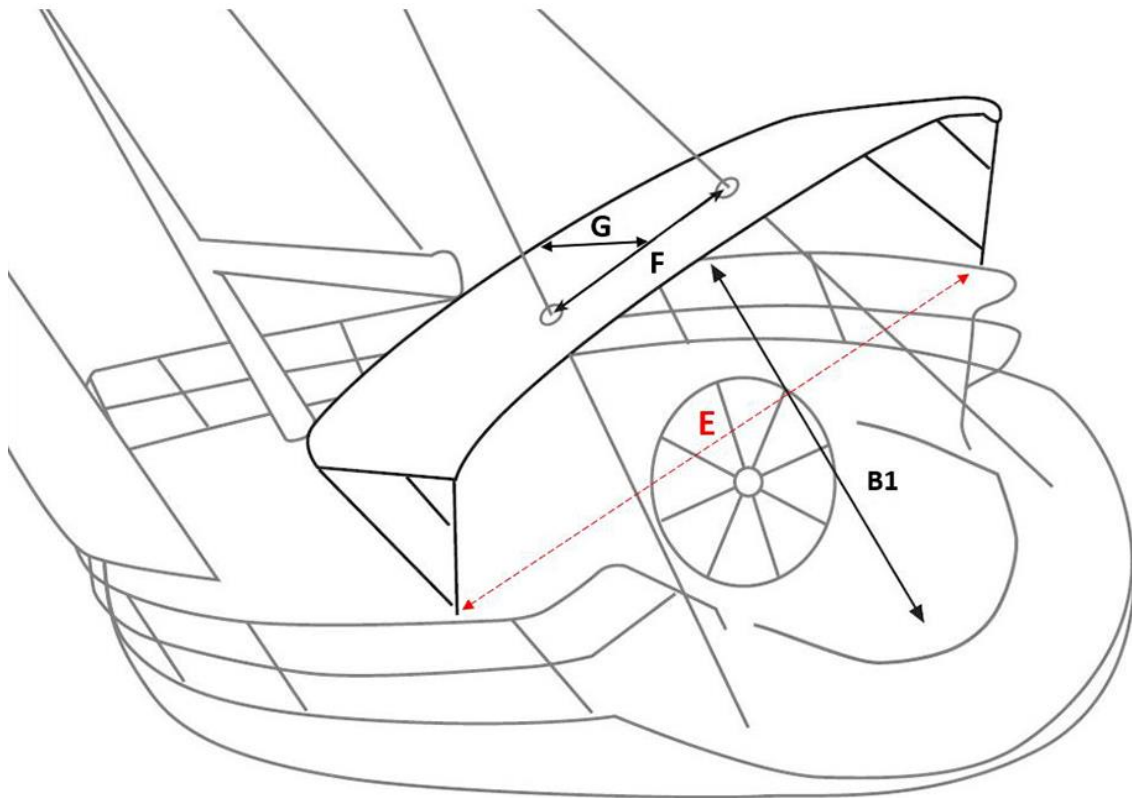
E:

F:

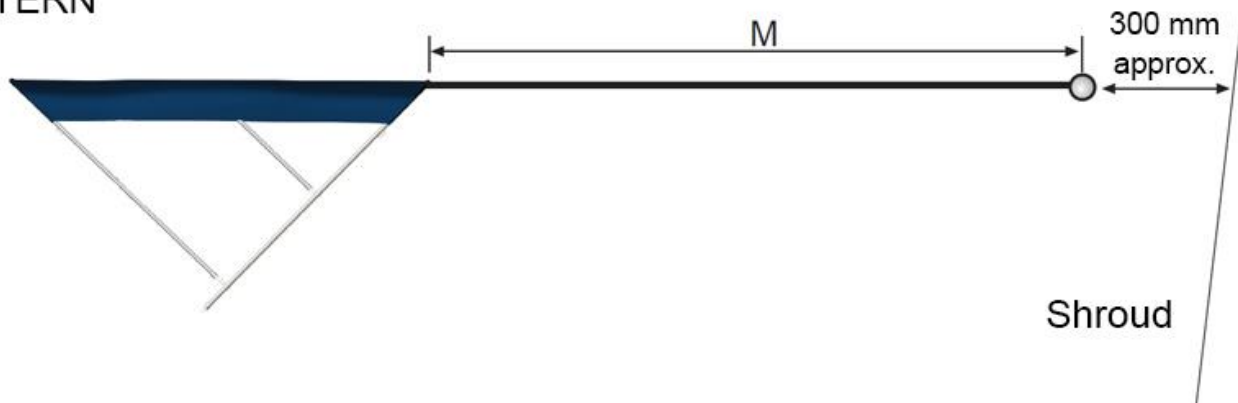
G:

M:





STERN



BOW

Mast

Shroud